

4MM (BANANA) PLUG 100085

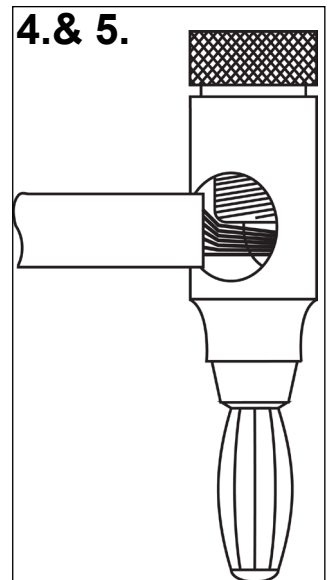
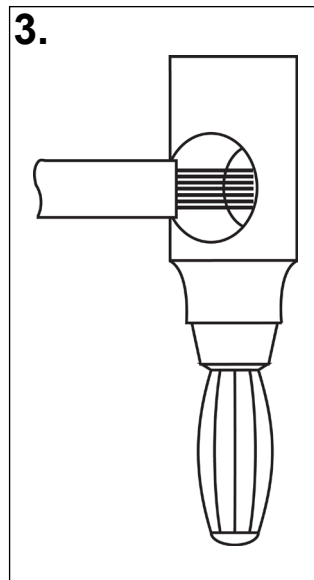
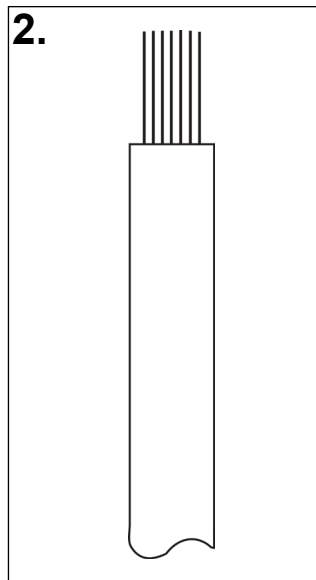
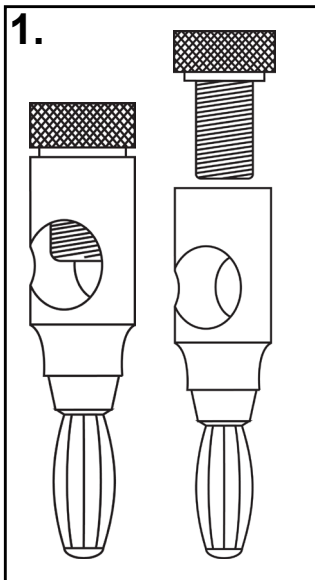
This 4mm (banana) plug offers a Side Entry and a Rear Entry of the speaker wire. The Heavy-Duty 24k Gold plating will resist corrosion and will provide the best possible connection.

Note: The side entry can accommodate up to a 10~18 a.w.g. wire (lower # means thicker wire)

SIDE ENTRY IANSTALLATION:

1. Unscrew the rear bolt in the banana plug
2. Strip the speaker wire to the approximately 19mm (6/8in)
3. Twist the stripped part of the speaker wire a few times to keep all of the strands together and insert it into the side of the plug.
4. Screw in the rear bolt into the banana plug.
5. The plug is ready to use.

SIDE ENTRY





REAR ENTRY INSTALLATION:

1. Unscrew the rear bolt in the banana plug
2. Strip the speaker wire to the approximately 22mm (7/8in)
3. Twist the stripped part of the speaker wire a few times to keep all of the strands together and insert it into the rear bolt. Once inserted, spread the strands to the width of the bolt.
4. Screw in the rear bolt into the banana plug.
5. The plug is ready to use.

REAR ENTRY

