

Complete AV Solutions for Whole Home, Media Space and Digital Signage



10 Year Warranty, Educational Programs, Design Services and
Dedicated 7 Days a Week Support



Digital Whole Home Solution

Challenge

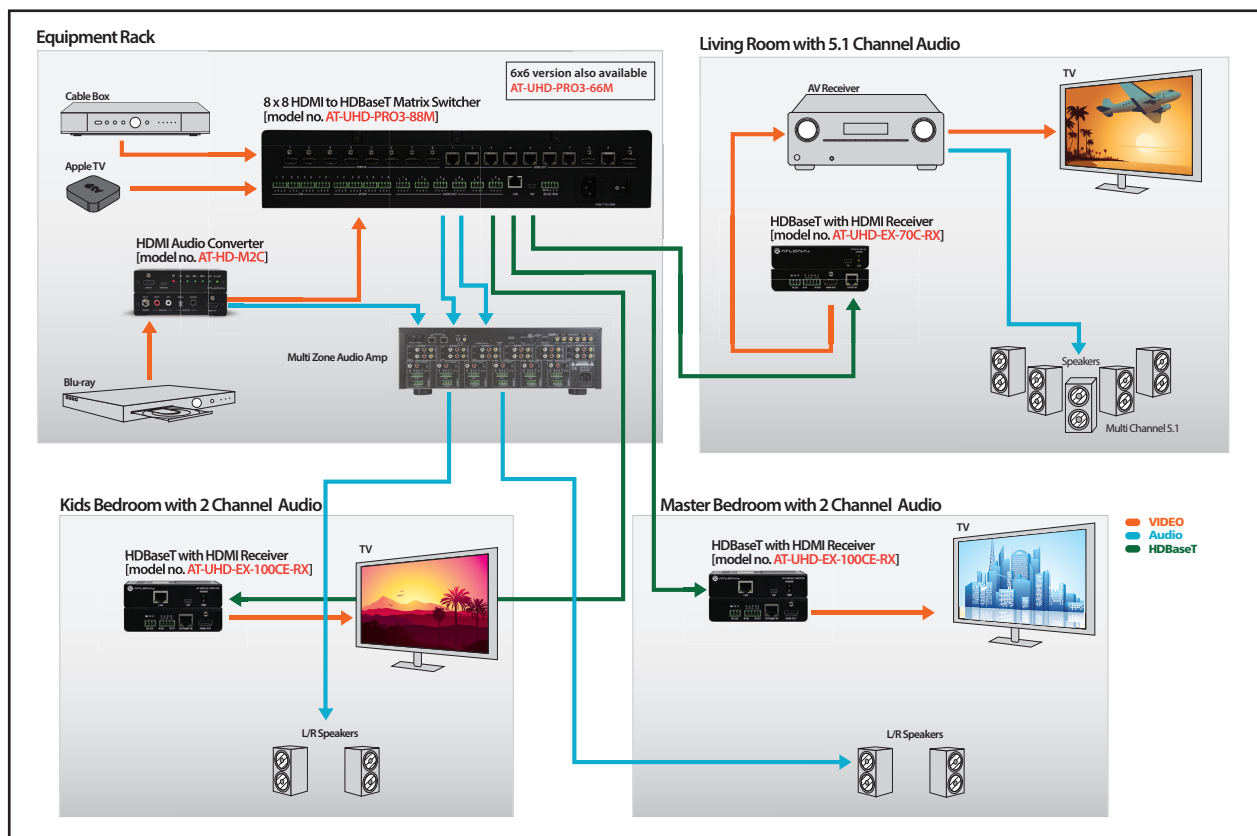
Homes today have flat panel TV's in virtually every room. With all these TVs come unsightly black boxes, cables, and other equipment. Interior decorators absolutely hate it. Redundant Set Top Boxes and other sources for every room in the home is unattractive, costly, maintenance intensive, and reduces available living space. Remote controls usually come with these devices and are different for every room, that only confuses the homeowner.

Solution

Atlona's matrix switchers allow any source to be routed to any television in the home. All equipment is centrally located and becomes a shared resource where it is out of sight which maintains the elegance of the home. System service is easier since all hardware is centrally located. They are available in several different sizes and with HDMI or HDBaseT™ outputs to support TVs up to 328 feet (100m) from the switch.



Application Diagram & Specifications



Model	Description	Inputs	Outputs	Benefits
New AT-UHD-PRO3-88M	4K/UHD 8x8 HDMI to HDBaseT Matrix Switcher with PoE	8 - HDMI 1 - RS-232 9 - IR 1 - LAN	8 - HDBaseT 8 - IR 2 - HDMI 1 - RS-232	Route any HDMI input to any or all HDBaseT outputs. Two HDMI outputs add output flexibility. 4K/UHD capability future proofs AV systems. Meets HDCP 2.2 content protection specification. PoE for remote-powered receivers. Compatibility with third-party control systems.
AT-HD-M2C	HDMI Multi-Channel to Two-Channel Audio Converter	1 - HDMI	1 - HDMI 1 - S/PDIF 1 - TosLink 1 - L/R RCA	Enables simultaneous support of multi-channel and two channel audio. Comprehensive audio signal format conversion and compatibility. Accepts all Dolby and DTS codecs up to Dolby TrueHD and DTS-HD Master Audio from Blu-ray disc players.
New AT-UHD-EX-70C-RX	4K/UHD HDMI Over 70 Meter HDBaseT with Control and PoE	1 - HDBaseT 1 - RS-232 1 - IR	1 - HDMI 1 - RS-232 1 - IR	HDMI extension up to 230 ft. (70 m) @ 1080p and 130 ft. (40 m) @ 4K/UHD. Bidirectional extension of RS-232 and IR commands for control system flexibility. Uses PoE to eliminate local AC outlet.
New AT-UHD-EX-100CE-RX	4K/UHD HDMI Over 100 Meter HDBaseT with Ethernet, Control and PoE	1 - HDBaseT 1 - RS-232 1 - IR	1 - HDMI 1 - LAN 1 - RS-232 1 - IR	HDMI extension up to 328 ft. (100 m) @ 1080p and @ 4K/UHD. Delivers 4K/UHD video, audio, 100BaseT Ethernet, power and control through a single cable. Uses PoE to eliminate local AC outlet.

Digital Media Space Solution

Challenge

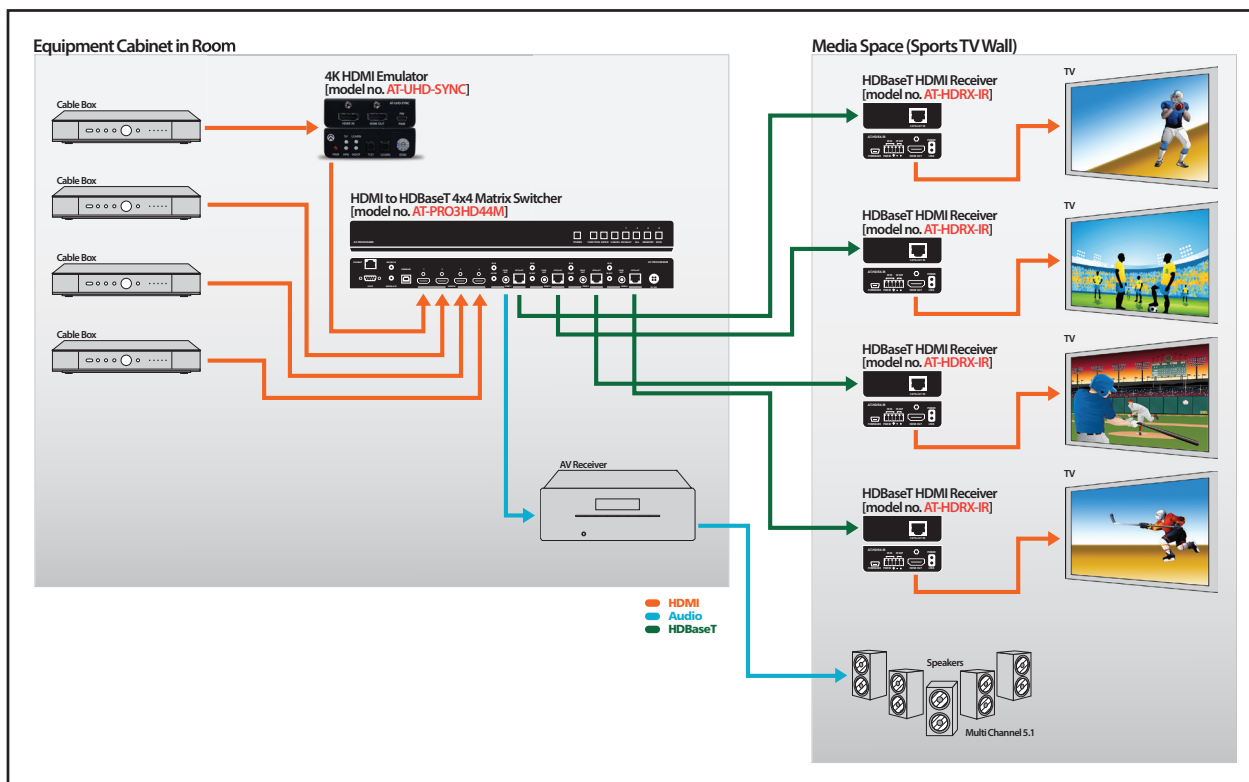
Sports, Sports, Sports and more Sports! The family in this home wants multiple TVs in this entertainment space so they can enjoy different content on each screen. The goal is to enjoy the AV without it detracting from the interior design or encumbering the space with cabinets, cables or other visible support equipment.

Solution

An Atlona HDMI or HDBaseT™ matrix switcher allows everyone to share in the fun and bring people together. Any game can be assigned to any TV whether it is satellite, cable or even streaming video. All the equipment, including set top boxes, switcher, audio and the control system, are hidden in a remote AV closet. The aesthetics of the room satisfy everyone!



Application Diagram & Specifications



Model	Description	Inputs	Outputs	Benefits
AT-PRO3HD44M	HDMI to HDBaseT 4 x 4 Matrix Switcher	4 - HDMI 1 - RS-232 5 - IR 1 - LAN	4 - HDBaseT 5 - IR 4 - S/PDIF	Route any HDMI input to any or all HDBaseT outputs. S/PDIF loop outs for legacy AVR Dolby/DTS audio decoding. RS-232, IR, TCP/IP control. Supplies power over category cable to PoC enabled receivers.
AT-HDRX-IR	HDBaseT RX HDMI Extender w/IR	1 - HDBaseT 1 - IR	1 - HDMI 1 - IR	A/V and IR signal extension up to 230 feet (70 meters) @ 1080p. Powered over category cable by PoC enabled devices.
AT-UHD-SYNC	4K UHD HDMI Emulator/Tester	1-HDMI	1 - HDMI	Analyzes errors, identifies issues and restores failed HDMI signals. Provides a preset or learned EDID to an HDMI source. Indicates 5V, Hot Plug Detect, and HDCP signals.

Digital Signage Solution

Challenge

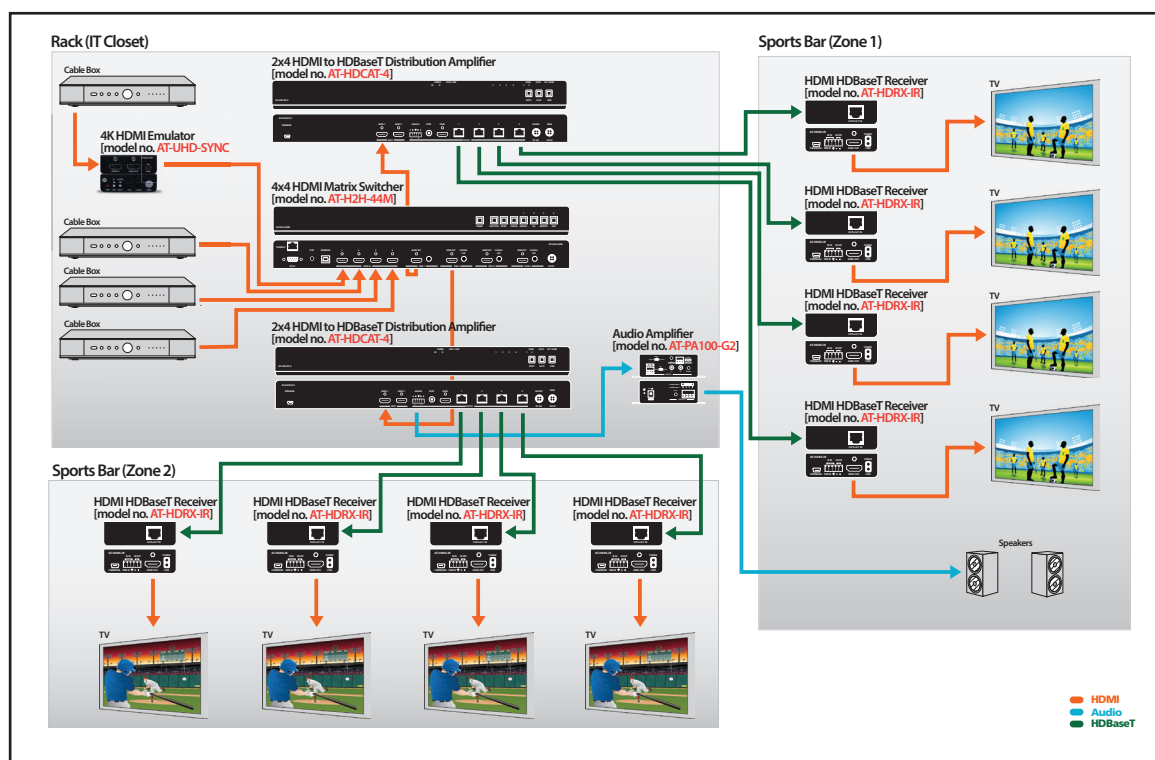
Sports bars and restaurants challenge integrators with tight budgets and long distances for HDMI signals. Customers come to watch their favorite teams, so everything has to work perfectly at game time or they go elsewhere! The same game needs to play on multiple TVs throughout the establishment while content providers charge per set top box. Sports are 24/7, so AV components need to run 24/7. Image quality needs to be as good as or better than what the customer has at home.

Solution

Atlona's HDCAT distribution amplifiers enable one set top box to drive up to eight TVs at distances up to 328 feet (100m). They are reliable with redundant power supplies (optional) and auto change-over should sources fail. They are the heart of a distribution system that delivers HD video using reliable HDBaseT™ technology! With three models, you only pay for the number of outputs and distance performance your project requires.



Application Diagram & Specifications



Model	Description	Inputs	Outputs	Benefits
AT-H2H-44M	HDMI 4 x 4 Matrix Switcher	4 - HDMI	4 - HDMI 4 - S/PDIF	Route any HDMI input to any or all HDMI outputs. S/PDIF loop outs for legacy AVR Dolby/DTS audio decoding. ARC-enabled for display source(s) routing back to matrix.
AT-HDCAT-4	HDMI to HDBaseT 2 x 4 Distribution Amplifier	4 - HDMI	4-HDBaseT 1-S/PDIF 1-Balanced analog audio 1-HDMI	A/V signal extension up to 230 feet (70 meters) @ 1080p. HDCAT provides power over category cable (PoCc) to all zone receivers. HDCAT-4 cascading up to 8x @1080p.
AT-UHD-SYNC	4K UHD HDMI Emulator/Tester	1 - HDMI	1 - HDMI	Analyzes errors, identifies issues and restores failed HDMI signals. Provides a preset or learned EDID to an HDMI source. Indicates 5V, Hot Plug Detect, and HDCP signals.
AT-HDRX-IR	HDBaseT RX HDMI Extender w/IR	1 - HDBaseT 1 - IR	1 - HDMI 1 - IR	A/V and IR signal extension up to 230 feet (70 meters) @ 1080p. Powered over category cable by PoCc enabled devices.
AT-PA100-G2	Audio Amplifier	1 - RCA L/R 1 - 3.5mm L/R 1 - Microphone	1 - Stereo Speaker 1 - 3.5mm loop out	Small, energy efficient, stereo/mono amplifier. Provides 2x20 W, stereo/dual mono; 1x 40 W, bridged. Features two, stereo line level inputs and mic input with 48 volt phantom power and ducking.