



ATLONA
PC/VIDEO/HD TO HDMI 1.3 SWITCHER
AT-HD600

USER MANUAL



TABLE OF CONTENTS

1. Introduction	1
2. Features	1
3. Operation Controls and Functions	2
3.1. Front Panel	2
3.2. Rear Panel	2
4. Remote Control	3
5. RS-232 Remote Control Protocol	3
5.1 RS-232 transmission format	4
6. Specifications	4
7. Connection Diagram	5
8. Safety Information	6
9. Warranty	7
10. Atlona Product Registration	8

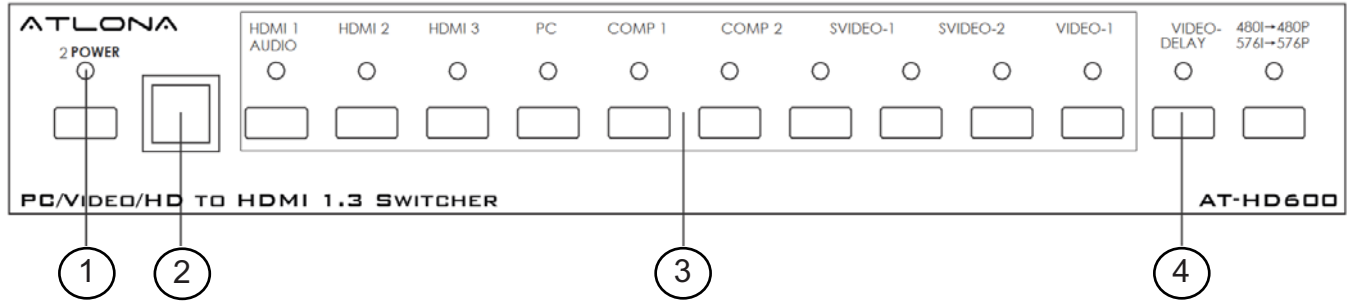
INTRODUCTION

Atlona Technologies' high quality Video Converter converts analog and digital signals to HDMI v1.3 output. The product is compatible to HDMI v1.3 specifications, a cutting edge technology which defines to transfer Deep Color (10-bit and 12-bit) video. Simply select from the front panel or remote control to choose the input sources.

FEATURES:

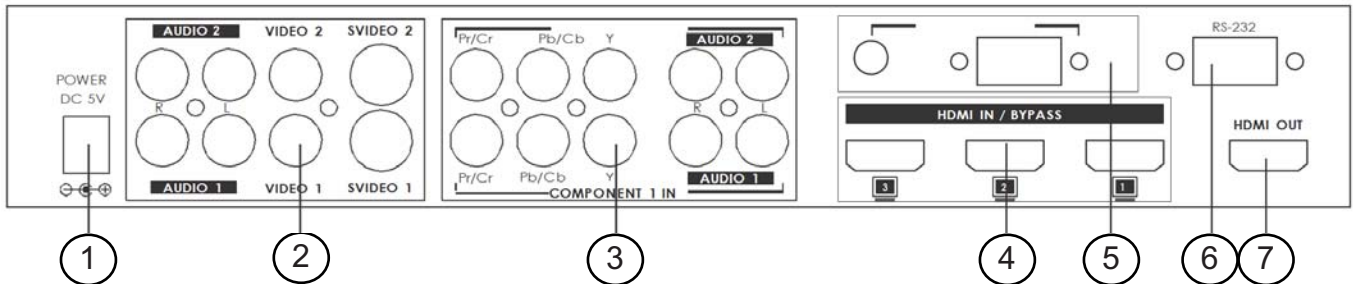
- HDMI 1.3, HDCP1.1 and DVI1.0 compliant Receiver.
- Deep Color video up to 12bit, 1080p@(24/60)Hz.
- Supports analog/digital video/audio input and HDMI v1.3 output.
- HDCP keysets allow each HDMI input to work independently when connecting to an HDMI display.
- Supports a wide range of PC and HDTV resolutions from VGA to SXGA@75Hz and 480i to 1080p. Component output supports resolutions up to 1080i.
- Support 3D comb filter.
- Support 3D noise reduction (DNR).
- Support format converter from 480i/576i to 480p/576p, simply press the front panel or remote control.
- Support audio delay for 150ms, this feature will not function when HDMI is inputted.
- Support IR remote control.
- Support RS-232 control.

3.1 Front Panel



1. Power switch and power LED indicator: Press the switch to power on the unit and the power LED will illuminate.
2. IR sensor.
3. Input source selection: Press the input button to switch to your desired input sources, the LED will illuminate to indicate which input source is selected.
4. Audio delay: Press to delay audio sources for 150ms, the LED will illuminate when powered on.

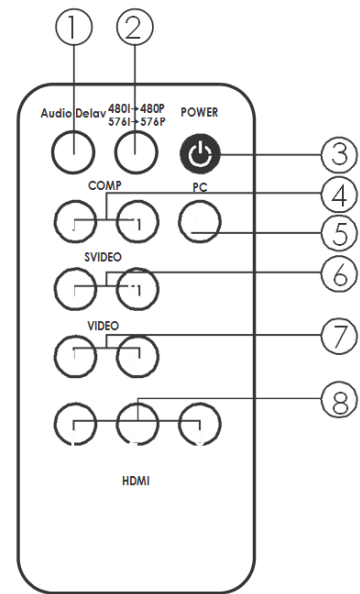
3.2 Rear Panel



1. Power: Plug the 5V DC power supply into this unit and connect the adaptor to AC wall outlet.
2. CV/SV inputs: Connect each of the input ports to the CV/SV and R/L output ports of your source equipments such as DVD player or set-top- box. The CV1/SV1/Audio1 and CV2/SV2/Audio2 are individual loops for source equipments.
3. Component inputs: Connect each of the input component ports to the component and R/L output ports of your source equipments such as DVD player or set-top-box. The Component1/ Component Audio1 and Component2/ Component Audio2 are individual loops for source equipments.
4. HDMI inputs: Connect each of the input ports to the HDMI or DVI output ports of your source equipment such as a DVD player or set-top-box.
5. PC input: Connect PC/audio input port to the PC/audio output port of your source equipment such as a Notebook or PC.
6. RS232: 9-pin D-Sub connector for connecting to your PC or other control consoles from remote control.
7. HDMI output: Connect the output port to the HDMI display.

REMOTE CONTROL

1. Audio Delay: Press to delay audio output for 150ms.
2. Format selection: To switch between Interlace and Progressive format.
3. Power: Press the button to turn on/off the unit.
4. Component 1/2: Press to select Composite 1 or 2 inputs.
5. PC: Press for PC input.
6. S-Video1/2: Press to select S-Video 1 or 2 inputs.
7. Video1/2: Press to select Video 1 or 2 inputs.
8. HDMI 1/2/3: Press to select HDMI 1, 2 or 3 inputs.



RS-232 REMOTE CONTROL PROTOCOL

System		Remote Controller	
Pin	Definition	Pin	Definition
1	NC	1	NC
2	TxD	2	RxD
3	RxD	3	TxD
4	NC	4	NC
5	GND	5	GND
6	NC	6	NC
7	NC	7	NC
8	NC	8	NC
9	NC	9	NC

RS-232 transmission format: Baud

Rate : 9600 bps

Data Bit : 8 bits

Parity : None

Stop Bit : 1 bit

5.1 RS-232 transmission format:

Command Code	Response	Description
S POWER 0	> POWER OFF	POWER OFF
S POWER 1	> POWER ON	POWER ON
S SOURCE 0	> SOURCE HDMI1	HDMI1 INPUT
S SOURCE 1	> SOURCE HDMI2	HDMI2 INPUT
S SOURCE 2	> SOURCE HDMI3	HDMI3 INPUT
S SOURCE 3	> SOURCE PC	PC INPUT
S SOURCE 4	> SOURCE COMP1	COMPONENT1 INPUT
S SOURCE 5	> SOURCE COMP2	COMPONENT2 INPUT
S SOURCE 6	> SOURCE SV1	SV1 INPUT
S SOURCE 7	> SOURCE SV2	SV2 INPUT
S SOURCE 8	> SOURCE CV1	CV1 INPUT
S SOURCE 9	> SOURCE CV2	CV2 INPUT
S AUDIODELAY 0	> AUDIODELAY OFF	OFF : NO DELAY
S AUDIODELAY 1	> AUDIODELAY ON	ON : DELAY 150ms
S RESET 1	> RESET ON	RESET ACTION
R POWER	> POWER ON~OFF	SHOW POWER STATUS
R SOURCE	> SOURCE HDMI~CV	SHOW SOURCE STATUS
R AUDIODELAY	> AUDIODELAY OFF~ON	SHOW AUDIO DELAY STATUS
R FW_VER	> FIRMWARE VERSION : Vx.xx	SHOW FIRMWARE VERSION

SPECIFICATIONS:

Frequency bandwidth	2.25Gbps (single link)
Input ports	3 x HDMI female ports (Type A connector) 1 x PC with audio jack 2 x Y/Pb/Pr with R/L 2 x CV/SV with R/L
Output port	1 x RS-232 1 x HDMI female port (signal link)
Power Supply	5VDC/2.6A (US/EU standards, CE/FCC/UL certified)
Dimensions (mm)	280(W) x 147(D) x 44(H)
Weight(g)	1380
Chassis Material	Metal
Operating Temperature	Operating from 0°C ~ 48°C

CONNECTION DIAGRAM



Safeguards

To reduce the risk of electric shock, do not expose this product to rain or moisture.

If the wall plug does not fit into your local power socket, hire an electrician to replace your obsolete socket.

Do not modify the wall plug. Doing so will void the warranty and safety features.

This equipment should be installed near the socket outlet and the device should be easily accessible in case it requires disconnection.

Precautions

FCC Regulations state that any unauthorized changes or modifications to this equipment not expressly approved by the manufacturer could void the user's authority to operate this equipment.

Operate this product using only the included external power supply. Use of other power supplies could impair performance, damage the product or cause fires.

In the event of an electrostatic discharge, this device may automatically turn off. If this occurs, unplug the device, and plug it back in.

Protect and route power cords so they will not be stepped on or pinched by anything placed on or against them. Be especially careful of plug-ins, or cord exit points from this product.

Avoid excessive humidity, sudden temperature changes or temperature extremes.

Keep this product away from wet locations such as bathtubs, sinks, laundries, wet basements and swimming pools.

Use only accessories recommended by ATLONA to avoid fire, shock or other hazards.

Unplug the product before cleaning. Use a damp cloth for cleaning. Do not use cleaning fluid or aerosols, which could enter the unit and cause damage, fire or electrical shock. Some substances may also mar the finish of the product.

Never open or remove unit panels or make any adjustments not described in this manual. Attempting to do so could expose you to dangerous electrical shock or other hazards. It may also cause damage to your AT-HD600. Opening the product will void the warranty.

Do not attempt to service the unit. Instead disconnect it and contact your Authorized ATLONA reseller or contact ATLONA directly.

1. LIMITED WARRANTY

Atlona Technologies warrants that (a) its products (the "Product") will perform substantially in accordance with the accompanying written materials for a period of 3 YEARS from the date of receipt and (b) that the Product will be free from defects in materials and workmanship under normal use and service for a period of 3 years. In the event applicable law imposes any implied warranties, the implied warranty period is limited to 3 years from the date of receipt. Some jurisdictions do not allow such limitations on duration of an implied warranty, so the above limitation may not apply to Customer.

2. CUSTOMER REMEDIES

Atlona Technologies and its suppliers' entire liability and Customer's exclusive remedy shall be, at Atlona Technologies' option, either return of the price paid for the Product, or repair or replacement of the Product that does not meet this Limited Warranty and which is returned to Atlona Technologies with a copy of Customer's receipt. This Limited Warranty is void if failure of the Product has resulted from accident, abuse, or misapplication. Any replacement Product will be warranted for the remainder of the original warranty period or 3 year, whichever is longer.

3. NO OTHER WARRANTIES

TO THE MAXIMUM EXTENT PERMITTED BY APPLICABLE LAW, ATLONA TECHNOLOGIES AND ITS SUPPLIERS DISCLAIM ALL OTHER WARRANTIES, EITHER EXPRESS OR IMPLIED, INCLUDING, BUT NOT LIMITED TO IMPLIED WARRANTIES OF MERCHANTABILITY AND FITNESS FOR A PARTICULAR PURPOSE, WITH REGARD TO THE PRODUCT AND ANY RELATED WRITTEN MATERIALS. THIS LIMITED WARRANTY GIVES CUSTOMER SPECIFIC LEGAL RIGHTS. CUSTOMER MAY HAVE OTHER RIGHTS DEPENDING ON THE JURISDICTION.

4. NO LIABILITY FOR DAMAGES

TO THE MAXIMUM EXTENT PERMITTED BY APPLICABLE LAW, IN NO EVENT SHALL ATLONA TECHNOLOGIES OR ITS SUPPLIERS BE LIABLE FOR ANY DAMAGES WHATSOEVER (INCLUDING WITHOUT LIMITATION, SPECIAL, INCIDENTAL, CONSEQUENTIAL, OR INDIRECT DAMAGES FOR PERSONAL INJURY, LOSS OF BUSINESS PROFITS, BUSINESS INTERRUPTION, LOSS OF BUSINESS INFORMATION, OR ANY OTHER PECUNIARY LOSS) ARISING OUT OF THE USE OF OR INABILITY TO USE THIS PRODUCT, EVEN IF ATLONA TECHNOLOGIES HAS BEEN ADVISED OF THE POSSIBILITY OF SUCH DAMAGES. IN ANY CASE, ATLONA TECHNOLOGIES' AND ITS SUPPLIERS' ENTIRE LIABILITY UNDER ANY PROVISION OF THIS AGREEMENT SHALL BE LIMITED TO THE AMOUNT ACTUALLY PAID BY YOU FOR THE PRODUCT. BECAUSE SOME JURISDICTIONS DO NOT ALLOW THE EXCLUSION OR LIMITATION OF LIABILITY FOR CONSEQUENTIAL OR INCIDENTAL DAMAGES, THE ABOVE LIMITATION MAY NOT APPLY TO YOU.



ATLONA
2151 O'toole Ave, Ste D
San Jose CA 95131
Toll Free: 1-877-536-3976
International: 408-954-8782
FAX: 408-954-8792
Website: www.atlona.com
E-MAIL: info@atlona.com

Thank you for purchasing this Atlona product — we hope you'll enjoy it.



We also hope that you'll take a few moments to register your new purchase. Registration creates an ownership record if your product is lost or stolen and helps ensure you'll receive notification of performance issues and firmware updates.

At Atlona, we respect and protect your privacy and assure you that your registration information is completely secure. Of course, Atlona product registration is totally voluntary and failure to register will not diminish your limited warranty rights.

To register go to www.atlona.com/registration