

Velocity 7" Touch Panel AT-VTP-700VL-BL



The Atlona AT-VTP-700VL is a Velocity™ 7" touch panel with side mounted LED lighting. It features contemporary, refined styling with 1024x600 native resolution and a capacitive glass surface. The VTP-700VL is an ideal user interface for AV control or room scheduling in corporate and education environments. Bright, side-mounted LED's provide a visual representation of room status or add emphasis to control functions. The panel ships with a dual-purpose one-gang wall and glass mount kit, and its standard VESA 75 pattern provides compatibility with a wide variety of other options. The optional AT-VTP-VTM tabletop mounting kit is available for placement on a meeting table or lectern. The VTP-700VL features Power over Ethernet (PoE), enabling a single network connection for data and power. Setting up the touch panel is easy, with room scheduling and AV control GUIs automatically uploaded from the Velocity hardware or software server gateway during system configuration.

Package Contents

1 x AT-VTP-700VL-BL	1 x Glass mount cover sticker
1 x Wall/Glass mount	2 x Glass mount adhesive strips
4 x Mounting screws	1 x Installation Guide
2 x Safety screws	

Operating Notes

- The Velocity 7" Touch Panel (AT-VTP-700VL-BL) must be on the same network as the Velocity Gateway (AT-VGW-HW or AT-VGW-SW) or it will be unable to sync for control.
- The AT-VTP-700VL is PoE capable, to power the unit, simply plug it into a 802.3at compatible network switch. If the network switch is not PoE capable, a PoE injector (purchased separately) can be used.



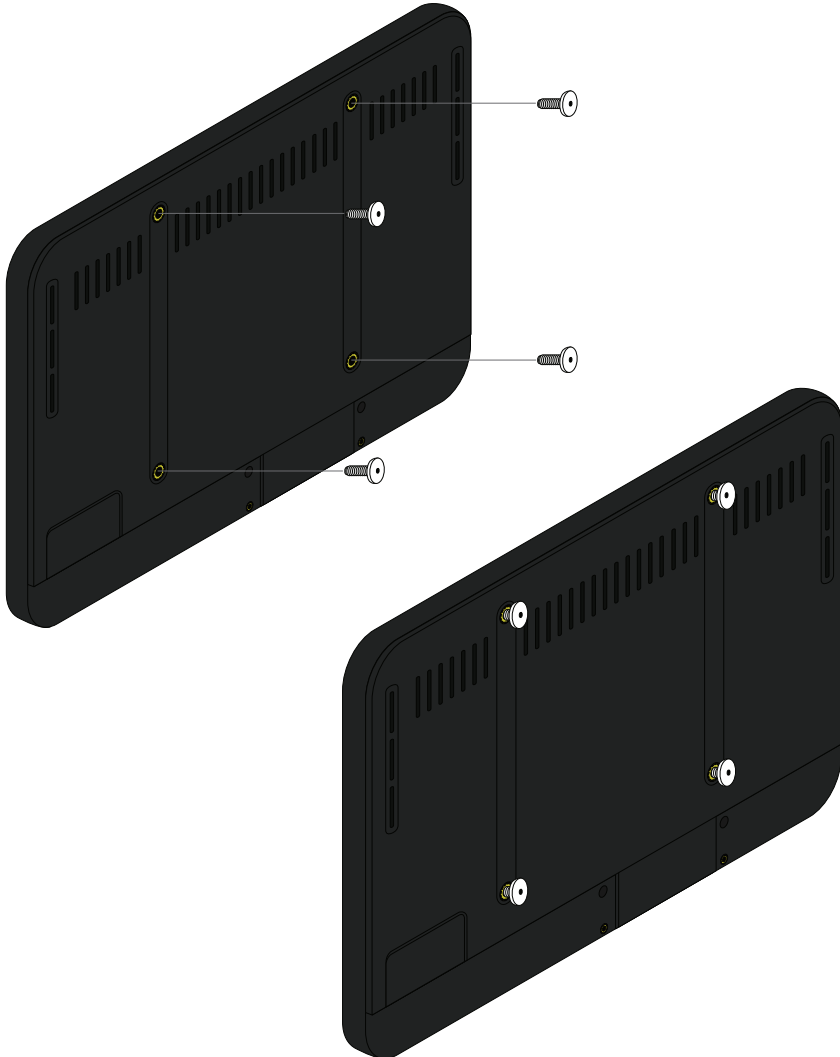
IMPORTANT: Velocity Gateway (AT-VGW-HW or AT-VGW-SW) must be set up before the AT-VTP-700VL is fully functional.

Mounting Instructions

The AT-VTP-700VL has three mounting options. In-wall, an optional stand (AT-VTP-VTM, available through atlona.com), and a flush mount kit (AT-VTP-FMK-7-BL, available through atlona.com).

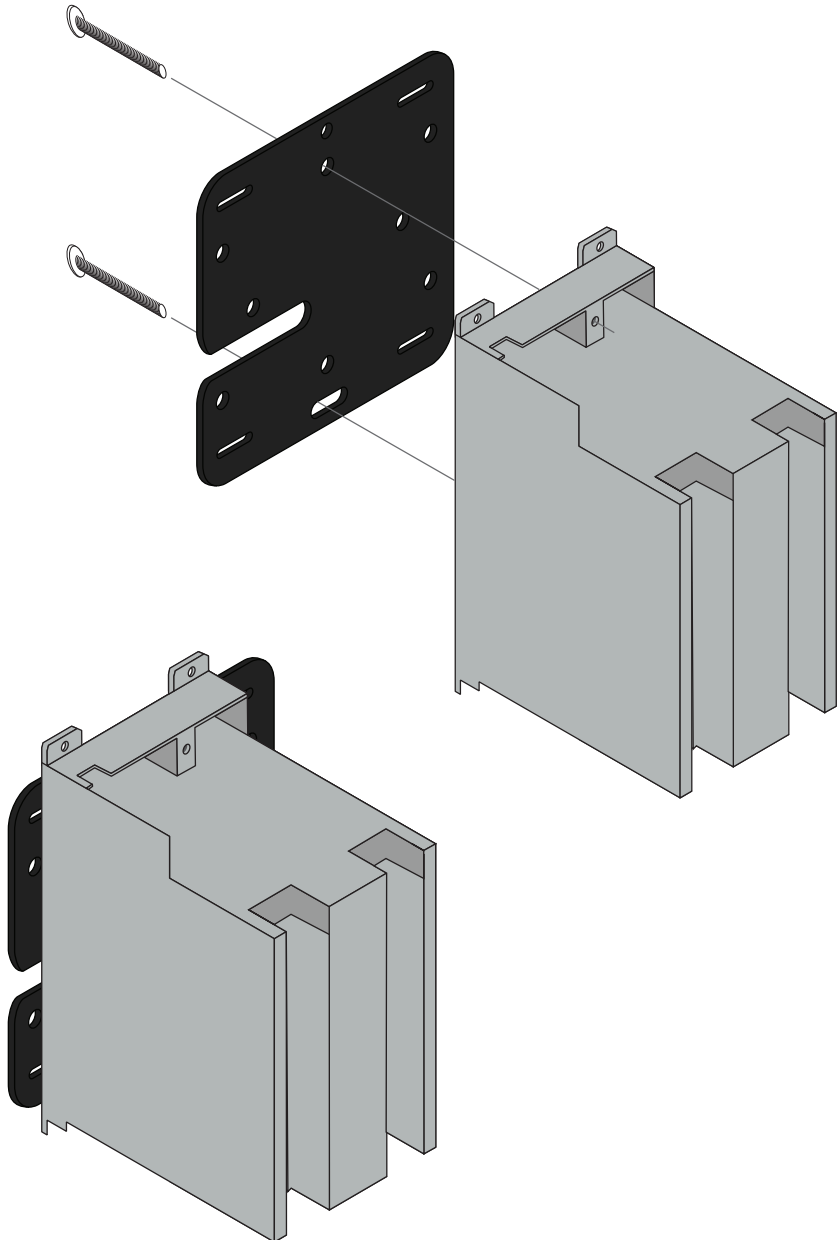
In-wall

- 1 Connect the included mounting screws into the back of the wall plate. Do not over-tighten the screws, as they should stick out a few mm from the wall plate for affixing to the wall/glass mount.



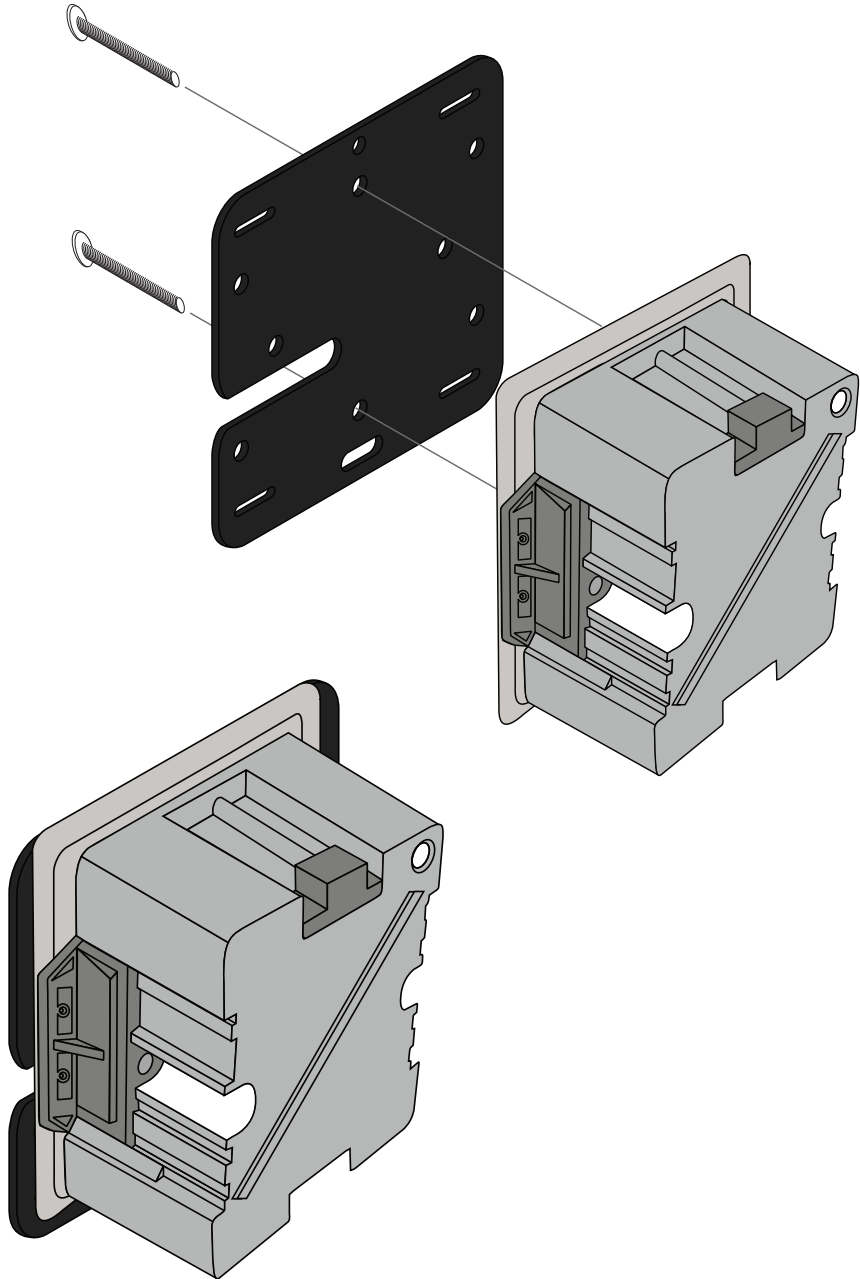
- 2 Affix the wall/glass mount to the back box. This will differ per region.

US



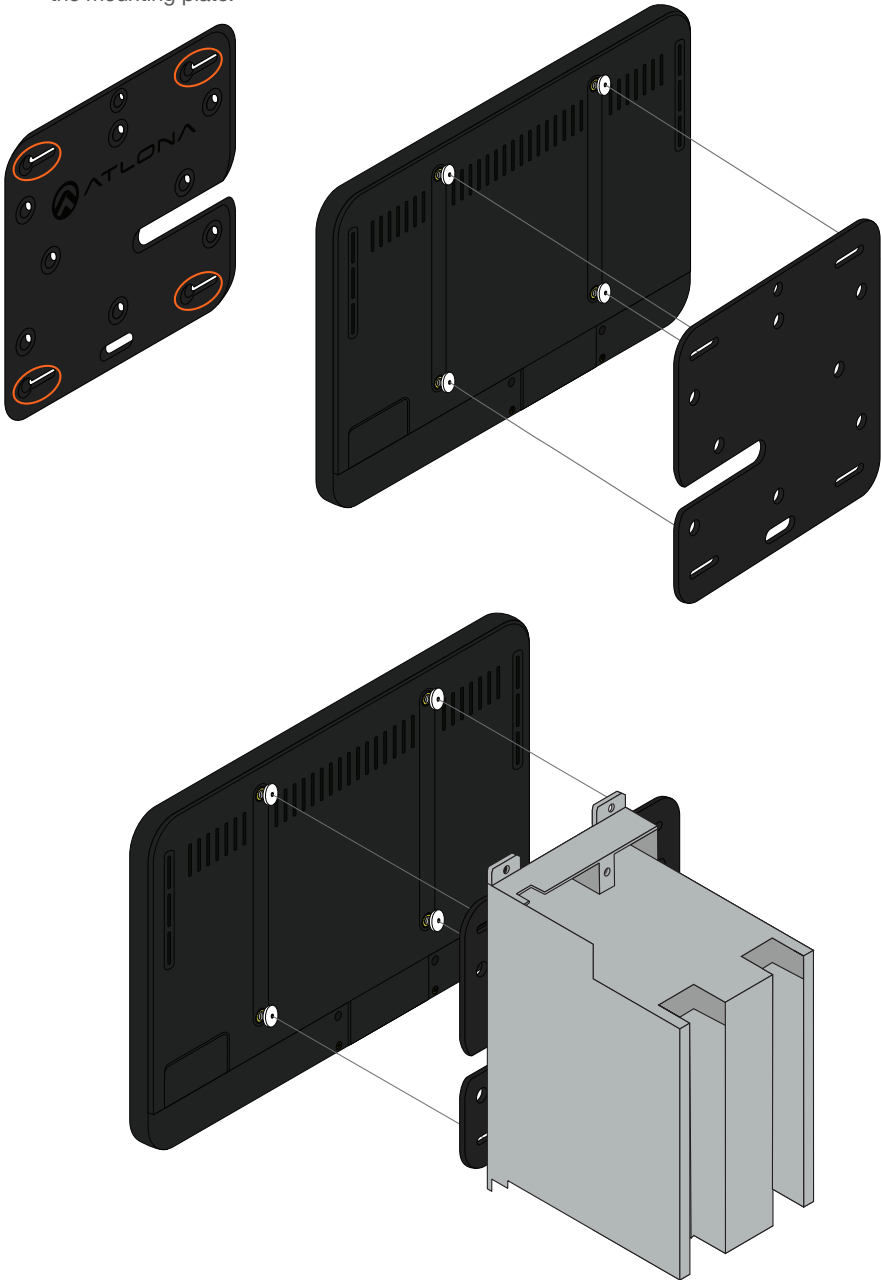


UK




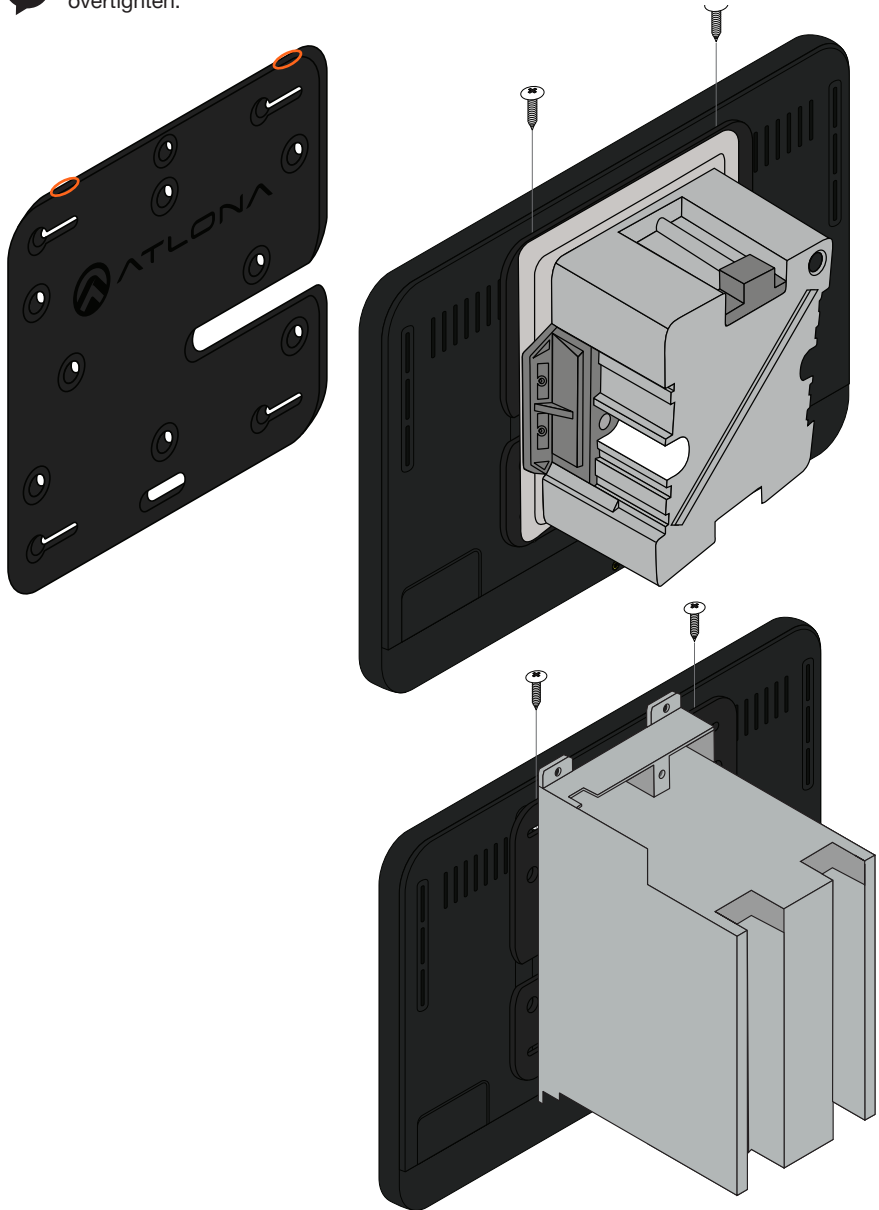


- 3 Align the screws on the back of the wall plate with the four large holes and slide them onto the mounting plate.



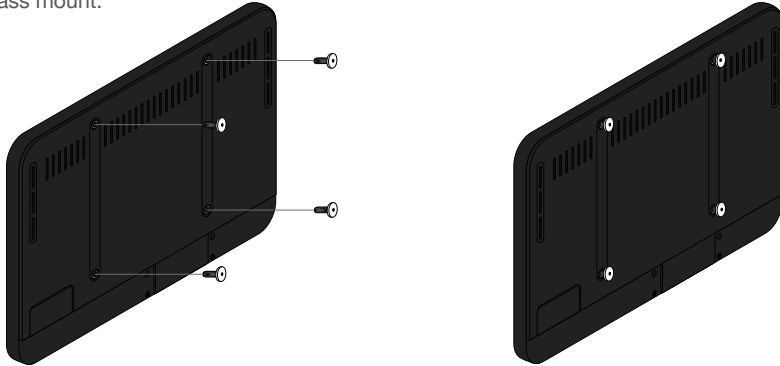
- 4 Insert the included safety screws into the top of the mounting plate, this will lock the mounting screws into places.

 **NOTE:** Tighten the screws by hand. To avoid damage to the touch panel, do not overtighten.

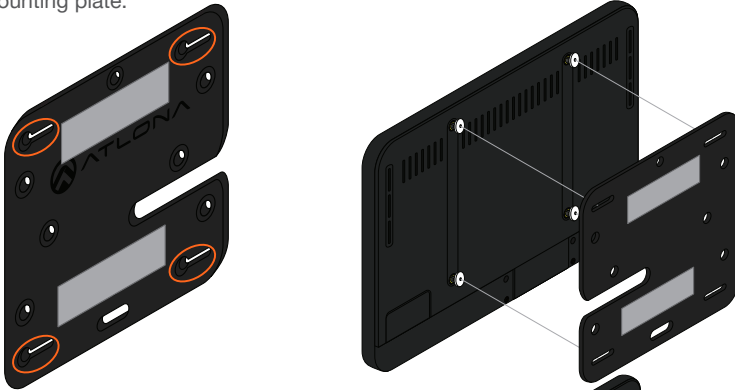


Glass Mounting

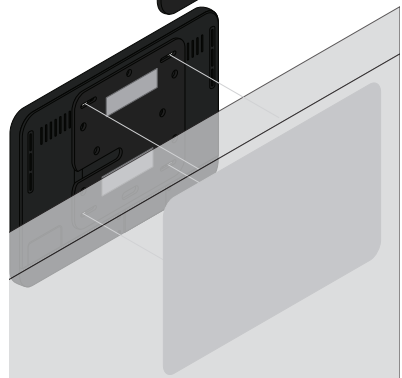
- 1 Connect the included mounting screws into the back of the wall plate. Do not over-tighten the screws, as they should stick out a few mm from the wall plate for affixing to the wall/glass mount.



- 2 Remove the paper from one side of the double-sided tape and affix it to the back of the mounting plate.
- 3 Align the screws on the back of the wall plate with the four large holes and slide them onto the mounting plate.



- 4 *Optional* Affix the Glass Mount Cover Sticker to the glass where the unit will be placed.
- 5 Remove the cover from the back of the double-sided tape.
- 6 Gently press the unit and mount firmly to the glass and hold pressure for thirty seconds to ensure the tape is fully engaged.



- 7 Insert the included safety screws into the top of the mounting plate, this will lock the mounting screws into places.

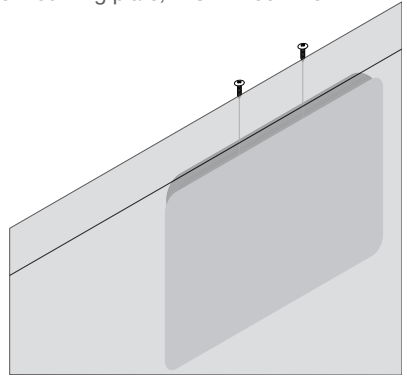
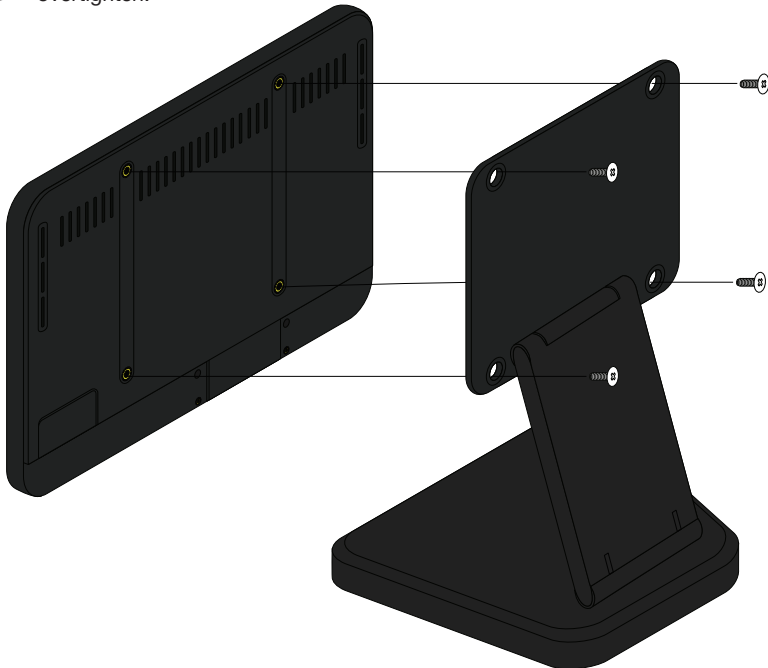


Table Mount (AT-VTP-VTM purchased separately through atlona.com)

- 1 Place the stand on the table/desk
- 2 Align the screw holes on the back of the wall plate with the holes on the adjustable stand.
- 3 Use the mounting screws included with the VTP-VTM and thread them through the back of the stand into the wall plate.



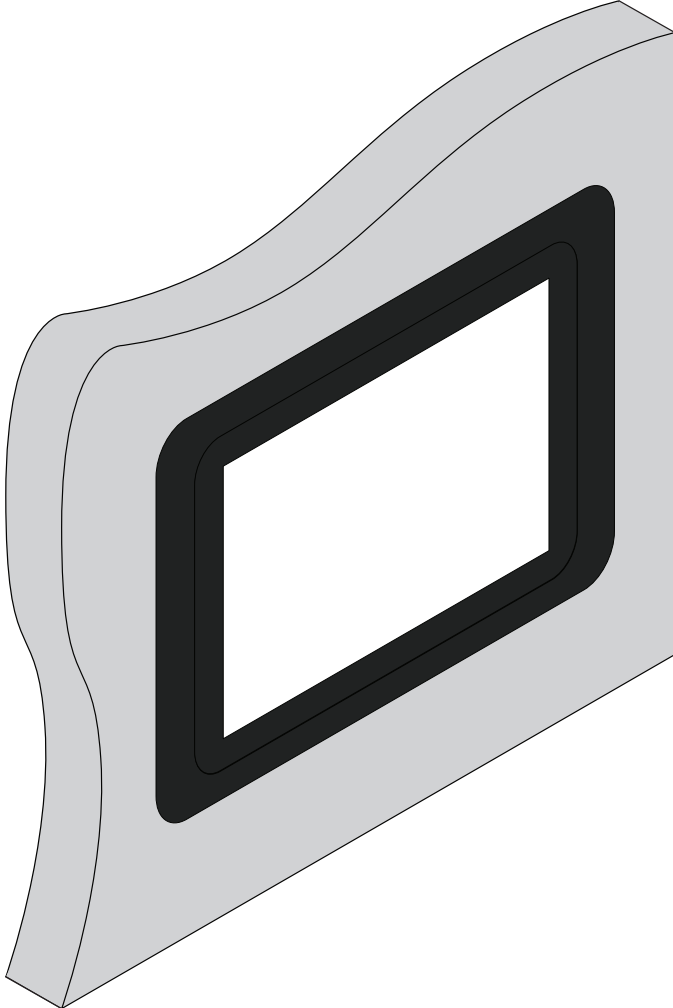
NOTE: Tighten the screws by hand. To avoid damage to the touch panel, do not overtighten.





Flush Mount KIT (AT-VTP-FMK-7-BL purchased separately through atlona.com)

The optional AT-VTP-FMK-&-BL is available to purchase from <https://atlona.com/product/at-vtp-fmk-7-bl/> and provides a way to install the VTP-700VL flush with the wall.



Installation and Set Up

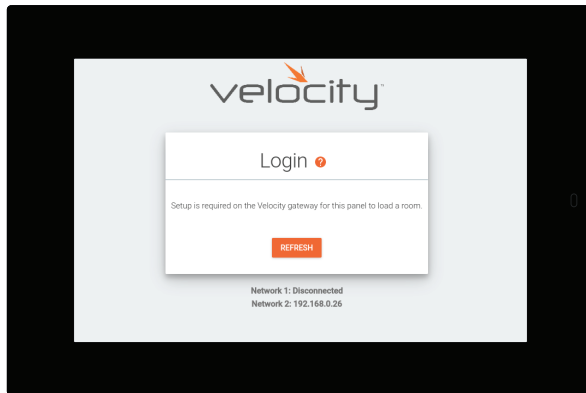


NOTE: Installation of the Velocity Touch Panel can only be done after the VGW-HW has been set up. View the AT-VGW-HW Installation Guide and Velocity Manual for instructions.

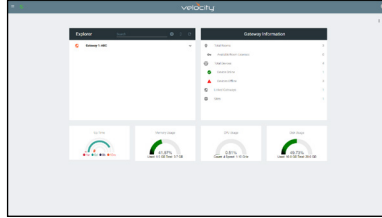
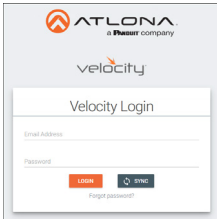
- 1 Connect the Ethernet cable into the back of the unit.
 - a If the Ethernet cable is connected to a non PoE switch, use a PoE injector using 802.3at (purchased separately).
- 2 Secure the unit in either the wall or optional stand, as explained in the mounting instructions.
- 3 The Velocity logo will display during the booting process and will go directly into setup.



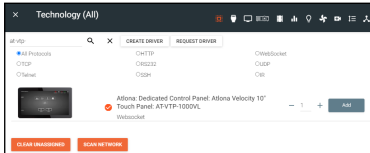
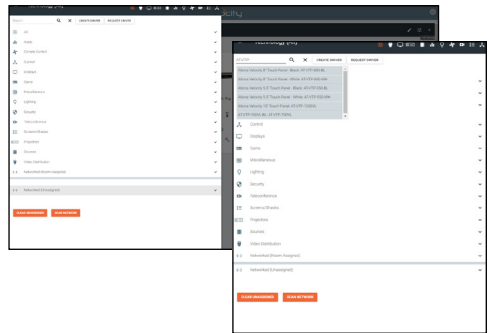
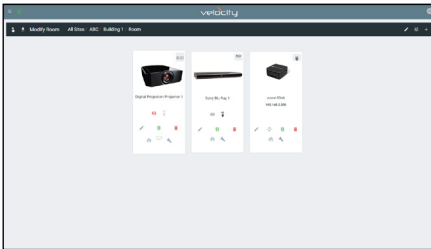
- 4 Enter the IP of the Velocity Gateway into the URL field.
- 5 *Optional* Select the Enable HTTPS slider to enable protection on the VTP.
- 6 Press the SAVE button to start the syncing process with Velocity.



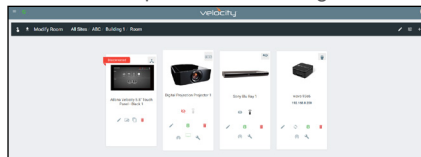
- 7 On a network computer, use a browser to log into Velocity.



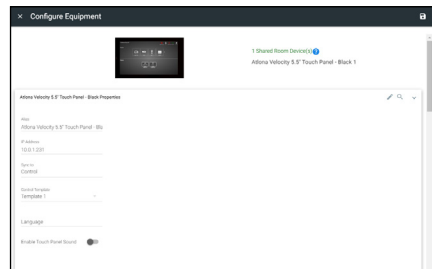
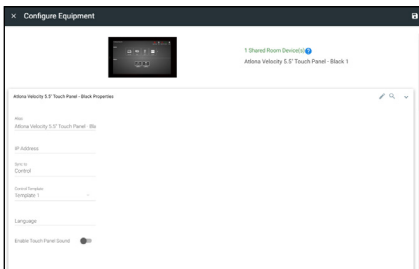
- 8 Navigate to the room the VTP will be located in.
- 9 Select the + button to add the unit.
- 10 Type the SKU into the search field and select the correct panel from the drop down.

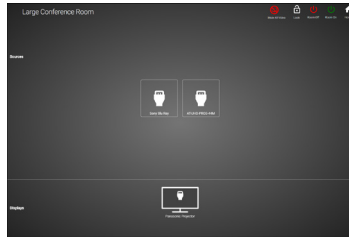
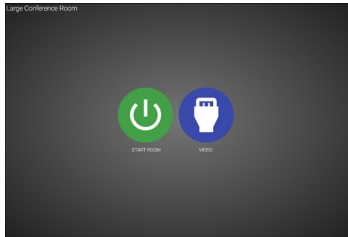


- 11 Select the Edit button on the tile to open the unit settings.



- 12 Select the ADD button. A tile for the unit will appear in the room.
- 13 Enter the IP of the VTP into the IP Address field and select the save icon in the top right corner of the screen. The screen will close, the panel will sync to the gateway, and the panel control will display on the panel.





- 14 Depending on the room options there may be multiple buttons on the home page. Select the any icon to open the room's control page.

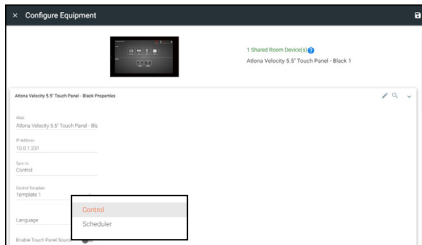


NOTE: The room must be completely set up to receive the control interface.

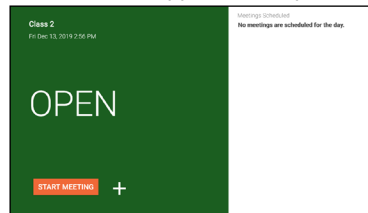
- 15 Select sources and displays by tapping on them or dragging and dropping the source on the display.

Scheduling

The panel can be set to scheduling, to do this, continue from step 13 to the next few steps.



- 1 Select the Sync to drop down menu and choose **Scheduler**.
- 2 Select the **Save** button. Once selected, the Scheduler will appear on the panel.



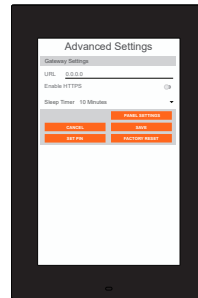
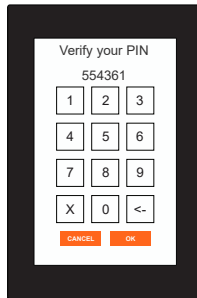
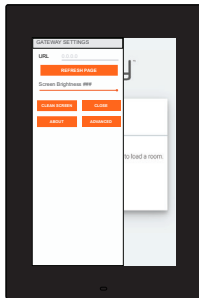
Advanced Settings

Once the touch pad has been set up, the settings can be changed or reset only through the advanced settings.



NOTE: Buttons may be offset in portrait mode, it is recommended to do advanced settings in landscape.

- 1 To access the settings, swipe from the left side of the touch pad to the right.
- 2 Select Advanced Setup.
- 3 Type in the PIN. Default PIN is 554361.



Within the advanced settings, all the touch pad settings can be changed or reset.

URL - Set the IP of the Velocity Gateway.

Enable HTTPS - Enable to set protection on the VTP.

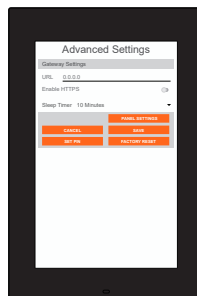
Sleep Timer - This sets the timer for how long until the unit goes to sleep with inactivity. Default is 10 minutes.

Cancel & Save - Confirm or reset the settings changed in the Advanced Settings.

Set PIN - The default PIN of 554361 can be changed to a new pin by pressing the **Set PIN** button. Type the new PIN in and press Save PIN.

Panel Settings - Open up the android settings of the VTP to set time and change panel Ethernet settings.

Factory Reset - Press the **Factory Reset** button to clear all the settings and start the touch pad set up again. Press the **OK** button to verify.



Within the panel settings, it is suggested to only change Ethernet and Time settings.

Select **System**, then **Date & Time** to update the panel time settings.

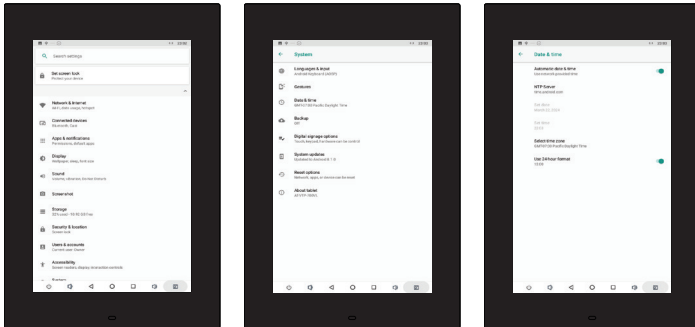
Automatic date & time - Enable or disable to have the time automatically update through the NTP Server.

NTP Server - Default time server is set to android. This can be updated to a company server.

Set date & time - Manually set date and time when automatic date & time is disabled.

Select time zone - Set the VTP to the local time zone.

Use 24-hour format - When enabled, the VTP will be in 24-hour time format. When disabled, the VTP will be in 12-hour time format.



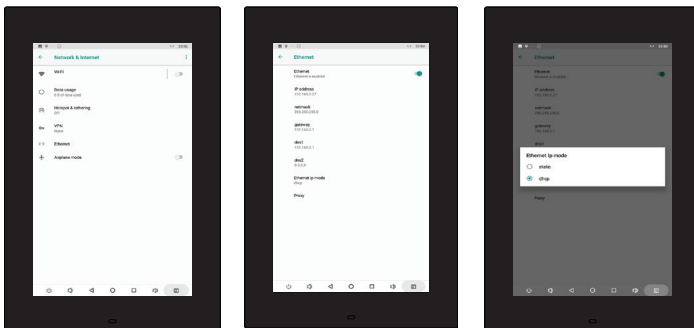
Select **Network & Internet**, then **Ethernet** to update the IP settings.

Ethernet - Enable or disable the Ethernet port.

IP address, netmask, gateway, dns1, and dns2 - Will display current settings when set to DHCP. Manually set information when set to static.

Ethernet Ip mode - Switch between Static and DHCP mode.

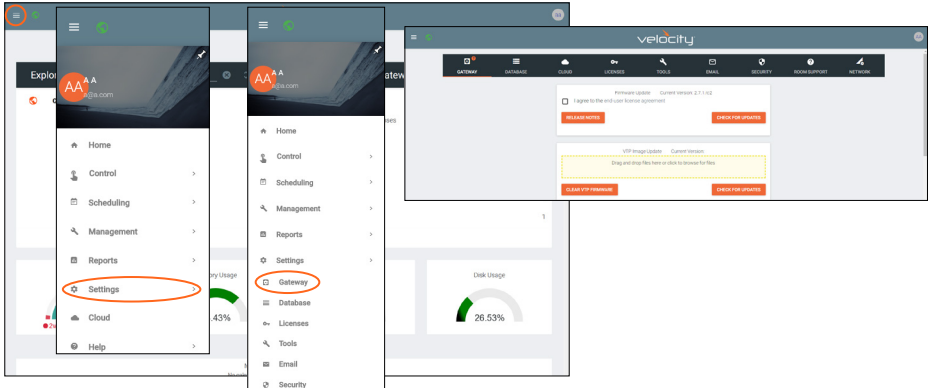
Proxy - Set up proxy settings.



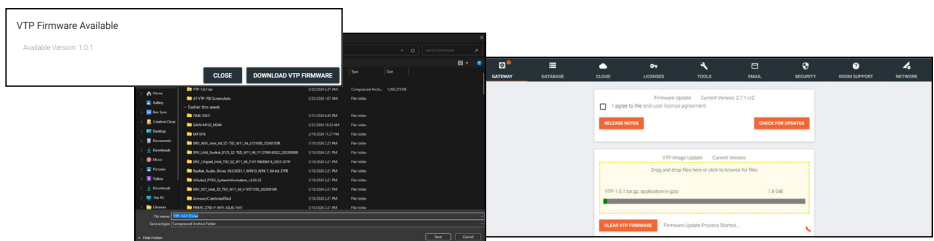
Firmware Updating

The touch panel is updated through Velocity. You can either download the firmware from atlona.com or through Velocity.

1. Locate the ≡ in the top left corner of the home page and left click to open the menu.
2. Select **Settings** from the menu. New options will appear.
3. Select **Gateway**. A new screen will open.



4. Press the Check for Updates button under the VTP Image Update box to download the firmware through Velocity, or download the firmware through atlona.com.
5. Once saved to the local computer, drag and drop the firmware into the VTP firmware field. The firmware will start updating automatically.



The page will reload once the firmware is done updating.

Warranty

To view the product warranty, use the following link or QR code:

<https://atlona.com/warranty/>.



English Declaration of Conformity

The English version can be found under the resources tab at:

<https://atlona.com/product/at-vtp-700vl-bl/>.



Chinese Declaration of Conformity 中国RoHS合格声明

由SKU列出於:

<https://atlona.com/about-us/china-rohs/>.

