

PTZ Camera for HDVS-300 Soft Codec Conferencing System AT-HDVS-CAM



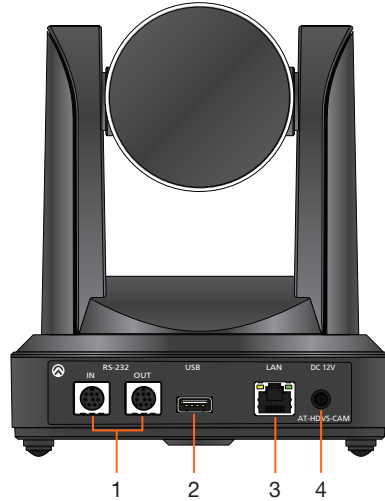
The Atlona **AT-HDVS-CAM** is an enterprise-grade PTZ camera designed for use in video conferencing and other applications such as lecture capture and distance learning. It features a USB 2.0 interface for video and camera control. The HDVS-CAM seamlessly integrates with the Omega™ Series, AT-OME-MS42-KIT, and OmniStream™ for a complete, automated conferencing system that includes AV and USB extension. The HDVS-CAM delivers high performance, professional-quality imaging with video resolutions up to 1080p @ 30 Hz, as well as fast and accurate auto-focusing, and a fast yet quiet pan and tilt mechanism. Also available is H.264 or H.265 streaming over IP with support for RTMP and RTSP protocols. This PTZ camera is ideal for a wide range of small to medium-sized meeting spaces, classrooms, and training rooms. The HDVS-CAM is available in black or white.

Package Contents

1 x AT-HDVS-CAM
1 x Wall mounting plate
1 x 1/4-20 UNC screw
1 x IR Remote Control
1 x USB A cable (2 meters)

1 x VISCA to RS-232 DB-9 adapter
2 x AAA battery
1 x 12 V DC Power Supply
1 x Installation Guide

Panel Descriptions



- 1 RS-232**
Connect included VISCA to RS-232 adapter here to control the camera with a third party software or hardware controller.
- 2 USB**
Connect the included USB A cable from this port to the USB port of the AT-OME-MS42, AT-OME-EX-RX, or similar product.
- 3 LAN**
Connect to a network switch to control the unit via TCP/IP or webGUI.
- 4 DC 12V**
Connect the included 12V power supply to this port.

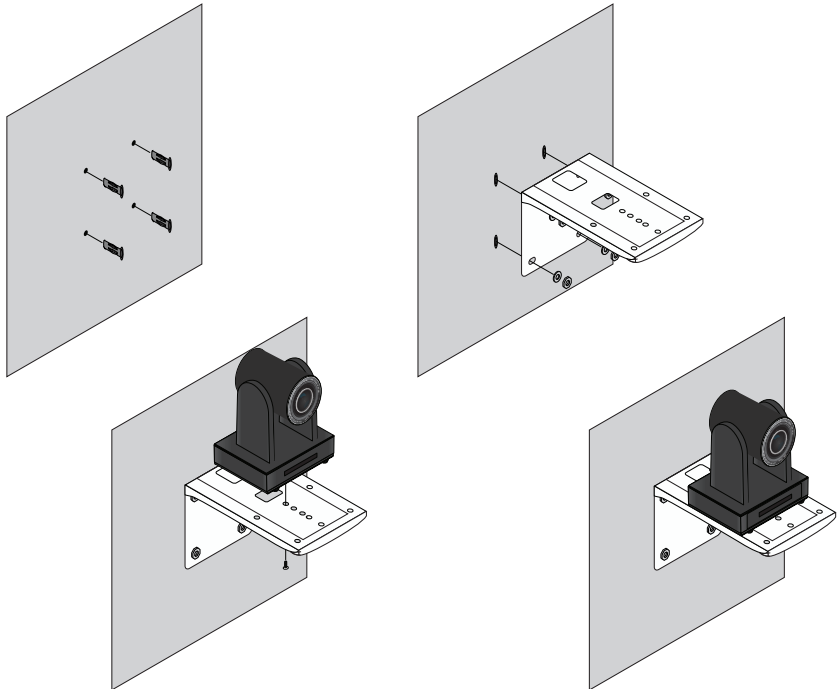
Mounting Instructions

The AT-HDVS-CAM has two installation options, wall mount (included) and ceiling mount (purchased separately).

Wall Mount installation

To install the AT-HDVS-CAM, 4 M6 swelling bolts, 1 1/4-20 UNC screw, 4 M6 nuts and shims, the included wall mount bracket, and the AT-HDVS-CAM are required.

- 1 Install the M6 swelling bolts in a rectangular pattern on the wall, 100 mm wide and 50 mm high.
- 2 Attached the wall mount bracket onto the wall, by placing them on the M6 swelling bolts and securing it with the M6 nuts and shims.
- 3 Once the wall mount bracket is secure on the wall, place the camera on the top of the wall mount bracket and secure it with the 1/4-20 UNC screw.

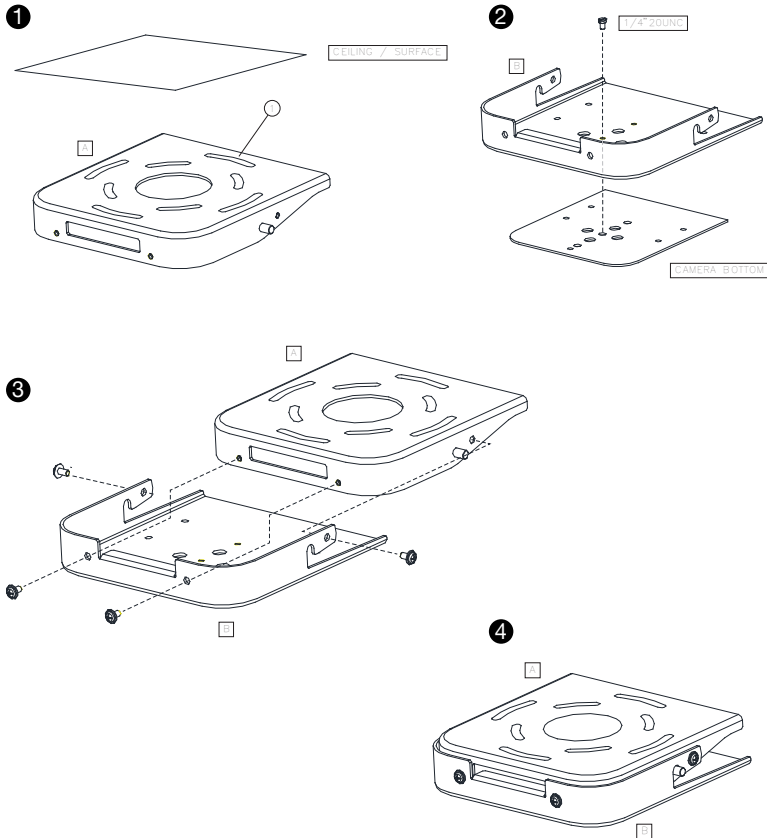


Ceiling Mount Installation



NOTE: The ceiling mount is sold separately.
Refer to <https://atlonac.com/product/at-hdvs-cam-cmnt/>.

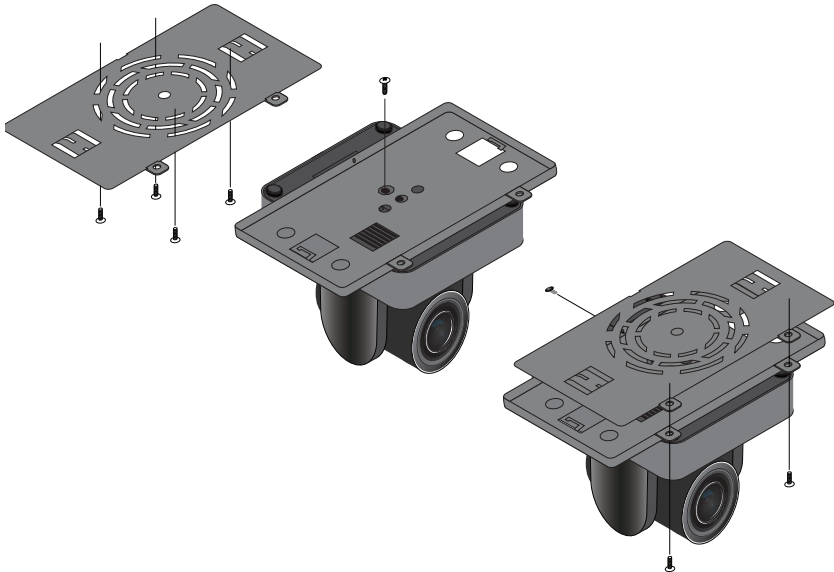
- 1 Position part **A** at the desired position on the ceiling / surface. Attach part **A** to the ceiling / surface by positioning screws (not provided) through the arc-shaped holes (1), as required.
- 2 Attach part **B** to the bottom of the AT-HDVS-CAM using the included 1/4"-20 UNC screw.
- 3 Attach part **A** to part **B**, as shown below. Make sure the swivel joint on part **A** is positioned in the swivel notch on part **B**. Attach each of the four included screws, as shown, to secure both parts of the mounting fixture.
- 4 The completed assembly.



Ceiling Mount installation (Legacy Mount)

To install the AT-HDVS-CAM, 4 PA3X30 self-tapping screws, 4 PM3X6 screws, 4 screw stoppers, 1 1/4-20 UNC screw, the optional ceiling upper and lower covering plates, and the AT-HDVS-CAM are required.

1. Install the 4 screw stoppers in the ceiling.
2. Connect the upper ceiling covering plate to the screw stoppers using the PA3X30 self-tapping screws.
3. Connect the lower ceiling covering plate to the bottom of the AT-HDVS-CAM using the 1/4-20 UNC screw.
4. Mount the lower ceiling covering plate to the upper ceiling plate using 3 PM3X6 bolts.



NOTE: The camera picture will need to be inverted for video to be viewed correctly. View the AT-HDVS-CAM manual for instructions on how to invert video.

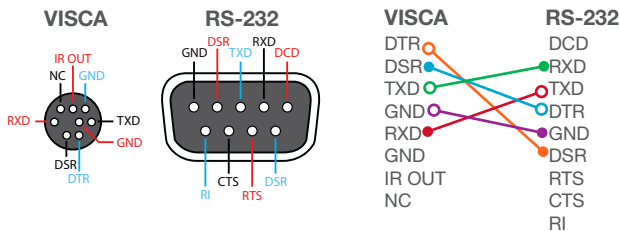
Installation

1. Connect the included power supply to the **12V** power receptacle on the AT-HDVS-CAM.
2. Connect an Ethernet cable from the network to the **LAN** port on the back of the AT-HDVS-CAM.



NOTE: Atlona strongly discourages the use of USB cables beyond 12 feet (3.5 meters) in length.

3. Connect a USB cable from the **USB** port to a conferencing system or to an extender, such as the AT-OME-EX-RX.
4. **OPTIONAL:** Connect the VISCA to RS-232 cable to the **RS-232** port for control. Note that RS-232 can also be connected to an AT-OME-RX11 or other receiver that supports RS-232 for remote control.



Web Server

The AT-HDVS-CAM includes a built-in web server, which allows easy management and control of all features. Follow the instructions below to access the web server.

1. Power the AT-HDVS-CAM by connecting the included power supply from the **12V** power receptacle on the camera to an available electrical outlet.
2. Connect a category cable (CAT-5e or better) from the network switch to the **LAN** port on the camera.
3. Launch a web browser and enter the IP address of the AT-HDVS-CAM.
4. The AT-HDVS-CAM Registration page will be displayed.
5. Enter the username, password, and confirm the password on the registration page to register the device. The password must contain a minimum of 8 characters, including 1 uppercase, 1 lowercase, and 1 numeric character.
6. Click on **Register** button.
7. The AT-HDVS-CAM Login page will be displayed.
8. Enter the username and password login credentials that were entered during the registration process.
9. Click the **Login** button.

IR Remote

The AT-HDVS-CAM comes with an IR remote control for full control of the camera and use of the OSD menu. See the user manual for full information on the remote buttons, OSD, and presets.



Troubleshooting

| Problem | Cause | Solution |
|---|---|--|
| Why can I not get any picture from my camera? | Camera lens is covered, USB cables are faulty, or the PC is not set up to receive the video feed from the camera. | <ul style="list-style-type: none"> Remove the camera lens cover from the unit. Try switching out the USB cables for new ones. Bypass the HDVS-300 to verify the unit isn't having compatibility issues. Check the device manager of the PC to ensure the camera USB device is discovering correctly. If the device is discovered, ensure the camera is selected within the video recording program (e.g. Skype). |
| Why isn't my video showing correctly? | Resolution, focus, color, and/or refresh rate may be set incorrectly. | <ul style="list-style-type: none"> Use the one of the control interfaces (IR, RS-232, or webGUI) to adjust the resolution, focus the camera, switch between 50 and 60 Hz, and many other settings. |
| Why is my IR remote not working? | There is no power or too much sunlight. | <ul style="list-style-type: none"> Ensure there are fresh batteries in the IR remote control. Move the camera, so the front panel IR window is out of direct light. |



Notes

Notes

Notes

Warranty

To view the product warranty, use the following link or QR code:

<https://atlona.com/warranty/>.



English Declaration of Conformity

The English version can be found under the resources tab at:

<https://atlona.com/product/at-hdvs-cam/>.



Chinese Declaration of Conformity 中国RoHS合格声明

由SKU列出於:

<https://atlona.com/about-us/china-rohs/>.

